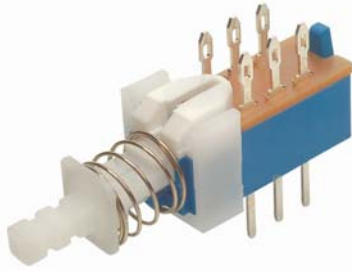


A SERIES

PUSH BUTTON SWITCH



Feature -

multiple keys and poles
interlock and individual lock

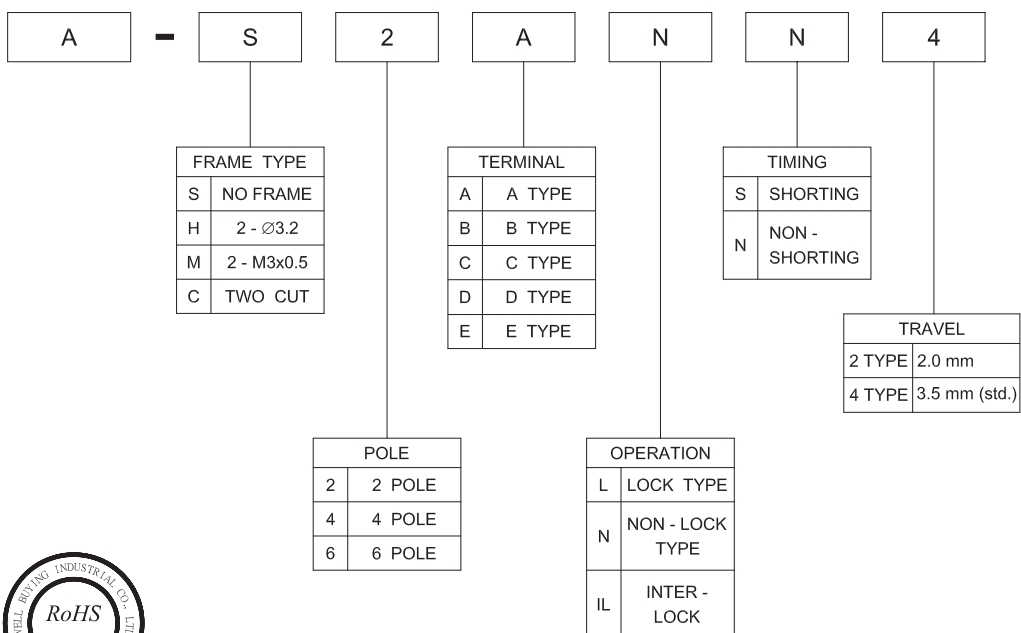
Application -

various switching purpose
in all home electronic equipments
and industrial electronic equipments

► SPECIFICATIONS

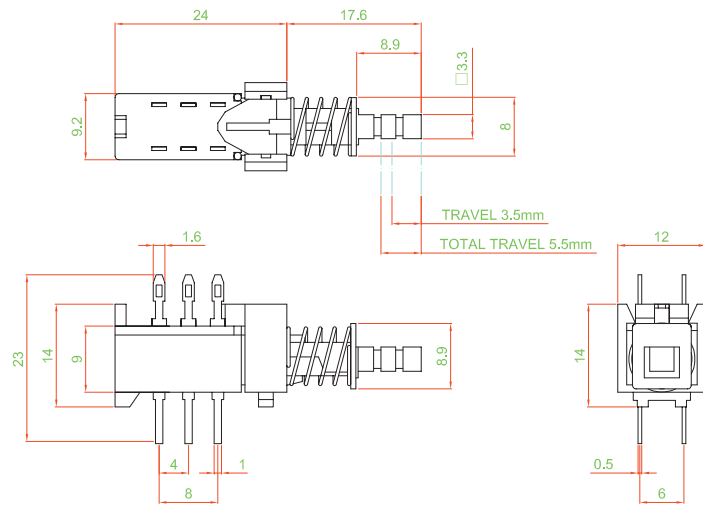
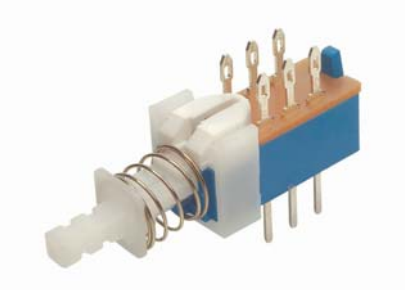
SWITCH SPECIFICATIONS	
POLE - POSITION	2P2T , 4P2T , Momentary and Lock Type are Available
CONTACT RATING	100 V AC , 0.5 A ; 250 V AC , 0.2 A ; 25 V D , 1A
CONTACT RESISTANCE	40 mΩ MAX. 1.5 V DC ; 100 mA , by Method of Voltage DROP
INSULATION RESISTANCE	100 MΩ MIN. 500 V DC
DIELECTRIC STRENGTH	Breakdown is not Allowable ; 500 V AC for 1 Minute
OPERATING FORCE	2P2T - 250 ± 100gf 4P2T - 350 ± 100gf
OPERATING LIFE	10,000 cycles
OPERATING TEMPERATURE RANGE	-20°C ~ 70°C
TOTAL TRAVEL	5.5 (or 3.5) ± 0.3 mm

► HOW TO ORDER

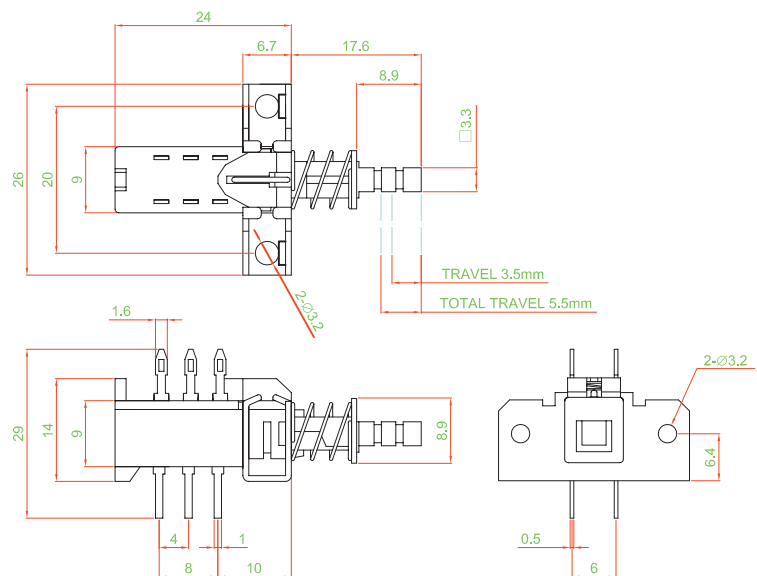
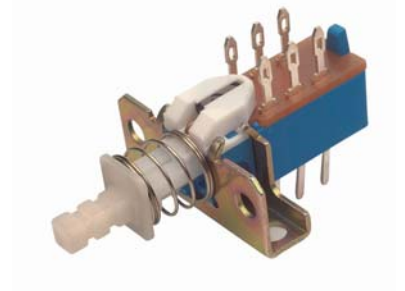


► DIMENSION

A - S2ANN4

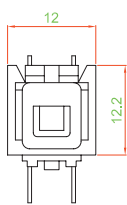


A - H2ALN4

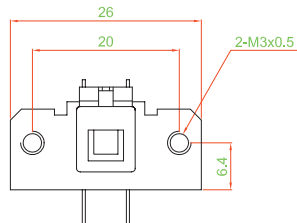


► FRAME TYPE

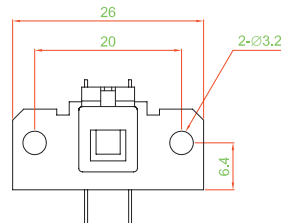
S TYPE



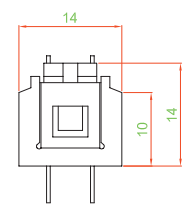
M TYPE



H TYPE

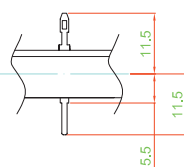


C TYPE

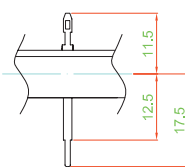


► TERMINAL TYPE

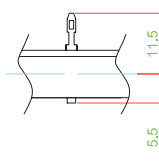
A



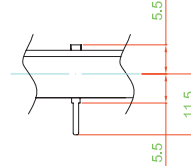
B



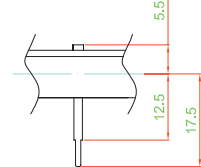
C



D



E

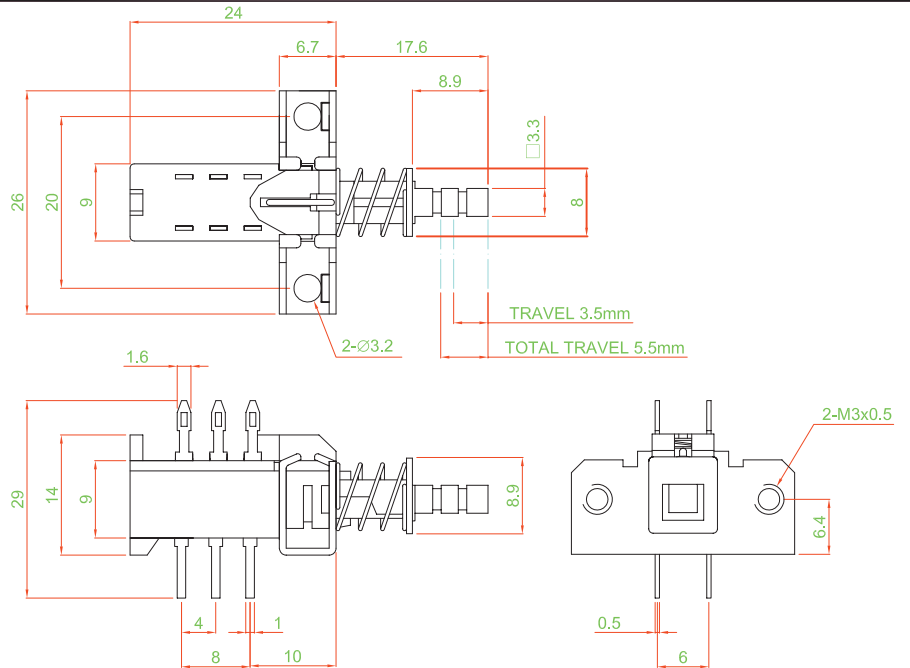
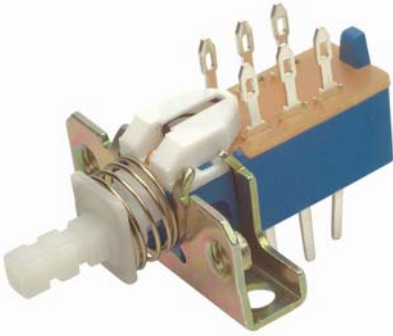


A SERIES

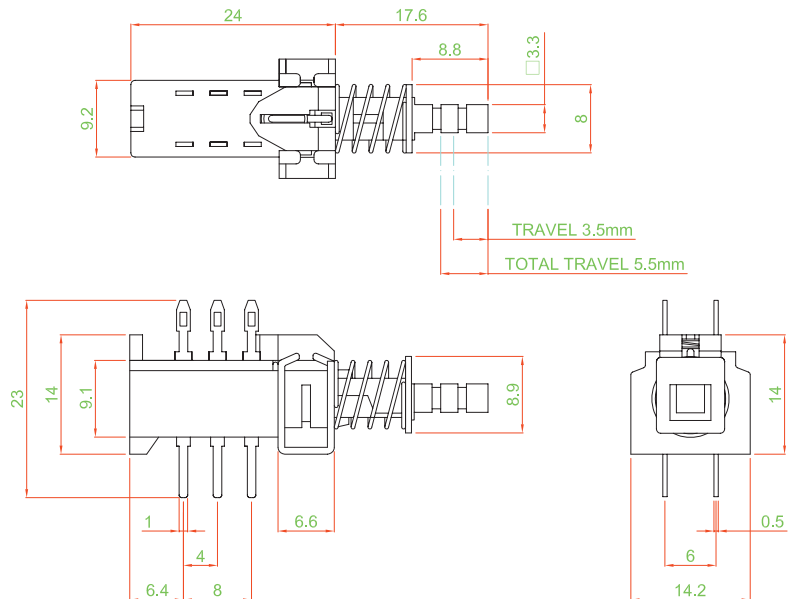
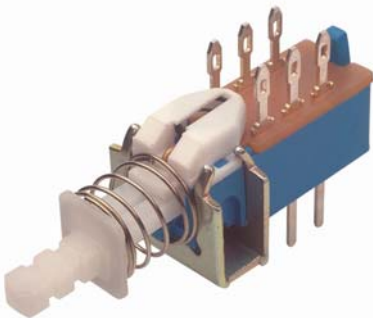
PUSH BUTTON SWITCH

► DIMENSION

A - M2ALN4



A - C2ALN4



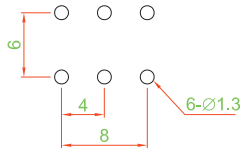
► MATERIAL

- ACTUATOR : POM
- TERMINAL : BRASS SILVER PLATING
- BASE FRAME : PA + GF
- SPRING : STAINLESS STEEL

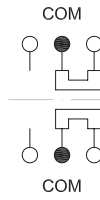
► UNIT WEIGHT

- A - S2ANN4 : 4.25 ± 0.05 g / pc
- A - H2ALN4 : 8.5 ± 0.05 g / pc
- A - M2ALN4 : 6.6 ± 0.05 g / pc
- A - C2ALN4 : 5.3 ± 0.05 g / pc

▶ P.C.B LAYOUT



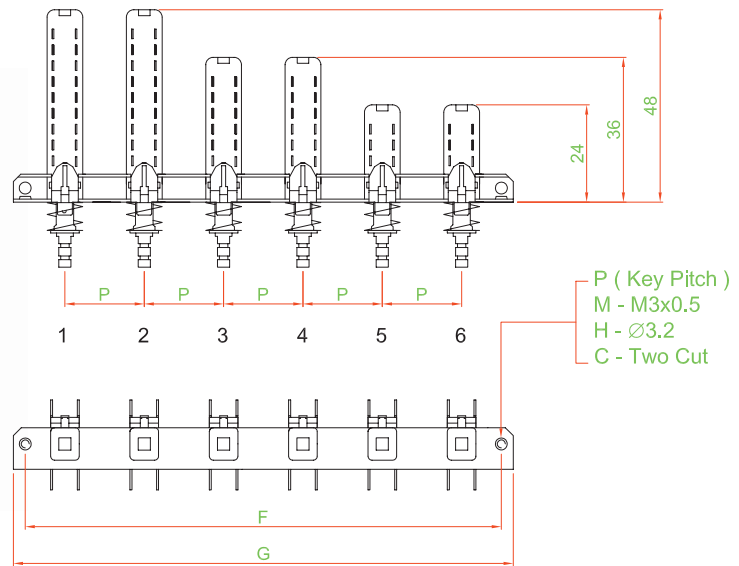
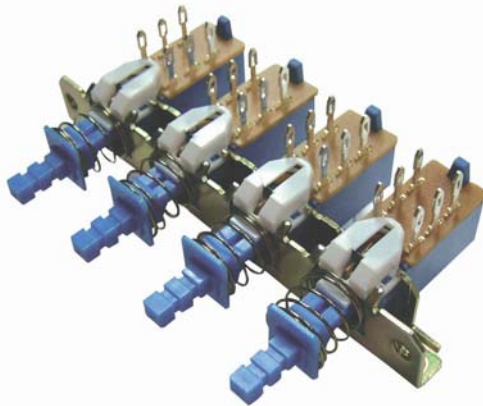
▶ SCHEMATIC



▶ POLE & LENGTH

POLE	2	4	6
L(mm)	24	36	48

▶ INTER-LOCK & LENGTH



SIZE PITCH	G	F		G	F		G	F		G	F		G	F
10	26	20		46	40		66	60		86	80		106	100
12.5	24	18	3	51	45	5	76	70	7	101	95	9	126	120
15				56	50		86	80		116	110		146	140
17.5	F		F	61	55	F	96	90	F	131	125	F	166	160
20				66	60		106	100		146	140		186	180
10	36	30		56	50		76	70		96	90		116	110
12.5	38.5	32.5	4	63.5	57.5	6	88.5	82.5	8	113.5	107.5	10	138.5	132.5
15	41	35		71	65		101	95		131	125		161	155
17.5	F	43.5	F	78.5	72.5	F	113.5	107.5	F	148.5	142.5	F	183.5	177.5
20		46		86	80		126	120		166	160		206	200

▶ MULTI - KEY TYPE AND INTER-LOCK TYPE

FRAME TYPE M M3x0.5 H Ø3.2 C TWO CUT

KEY	1	2	3	4	5	6	7	8	9	10	11	12	13	14	15	16
OPTION / 選項																
POLE / 回路數																
TERMINAL TYPE / 端子																
OPERATING / 動作																
TIMING N / S																
TRAVEL / 行程																
KNOB																
PITCH / 間距	<input type="checkbox"/> 10mm <input type="checkbox"/> 12.5mm <input type="checkbox"/> 15mm <input type="checkbox"/> 17.5mm <input type="checkbox"/> 20mm <input type="checkbox"/> 25mm <input type="checkbox"/> 30mm															